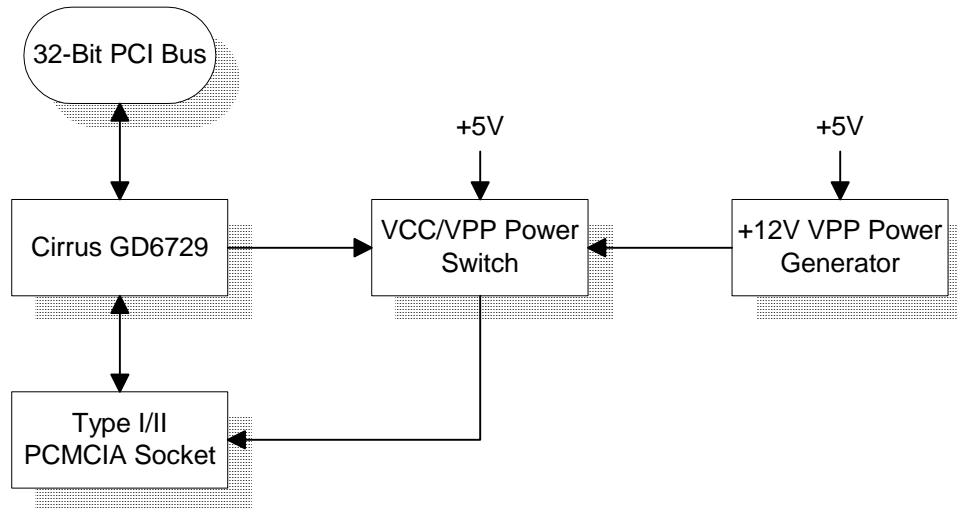


PCMCIA to PMC Adapter



The Technobox PCMCIA to PMC Adapter permits use of PCMCIA cards in a PMC slot.

PCMCIA cards are credit-card sized modules which are prevalent in the laptop and portable personal computing industry. Virtually any laptop sold today supports some number of PCMCIA slots.

Typical functions available through PCMCIA technology are modems, Flash mass storage, rotational magnetic storage, and LAN interfaces. While some data acquisition cards are available, their cost per function is likely to be greater than what is available directly on PMC.

This Technobox product uses the Cirrus 6729 PCMCIA to PCI bus interface chip, assuring a high degree of compatibility with off-the-shelf socket and card services software that may already be built into the operating system.

Features include an on-board 5V to 12V DC-to-DC converter, supplying Vpp for Flash cards. Also, a Vpp/Vcc switch, controlled by the Cirrus 6729, supports PCMCIA live insertion/removal, standard hardware in the majority of PCMCIA socket controller implementations.

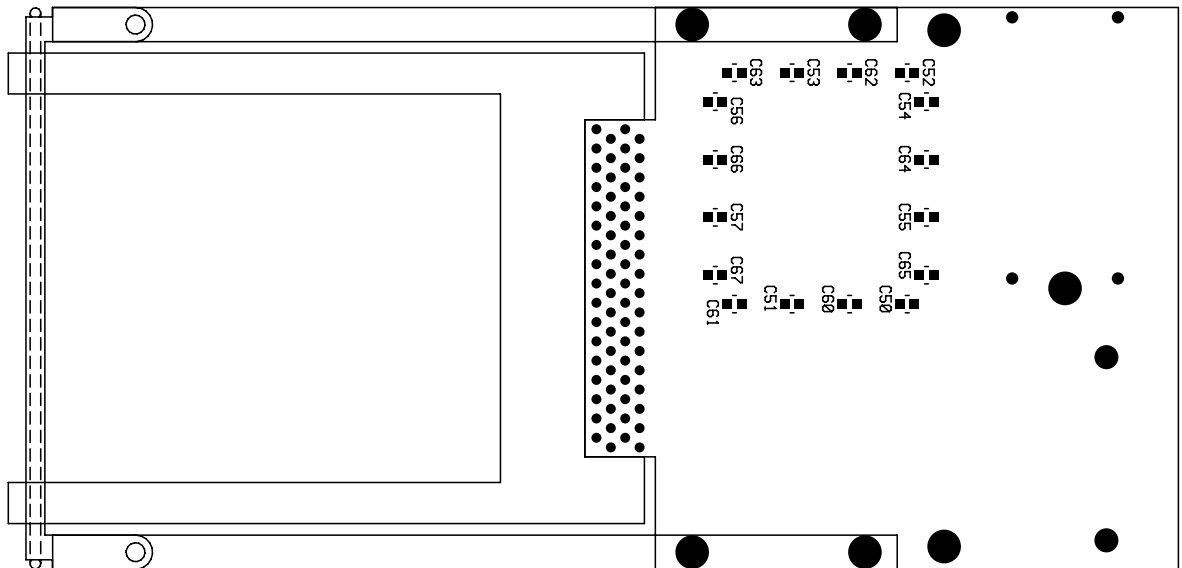
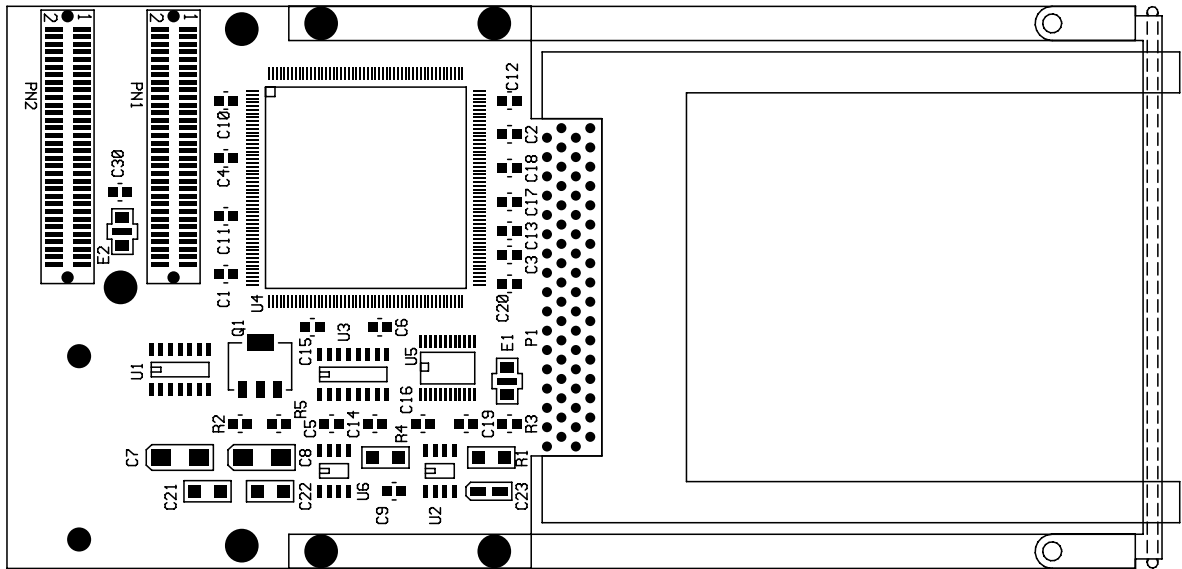
Mechanically, the PCMCIA to PMC adapter has been designed to accommodate either a Type I or Type II PCMCIA card without violating the IEEE 1386 component envelope. By positioning the plane of the PCMCIA card closer to the plane of the PMC board, it is possible to operate a 5 mm thick Type II card, including

rails, within the 8.2 mm total envelope dictated by IEEE 1386. Some designs currently on the market ignore these mechanical constraints, so close attention should be given to the mechanics of PCMCIA to PMC adapters when making purchasing decisions.

For static applications of PCMCIA-derived PMC functions, where live insertion is not critical, the adapter provides #4-40 set screws to secure the PCMCIA card in the slot.

This Adapter offers the opportunity to take advantage of inexpensive modems and Flash storage for bus/backplane applications based on PMC. Due to volume leveraging by the PCMCIA market, the equivalent functions strictly implemented on a PMC module could very well be more expensive than the adapter solution offered by this product.

PCMCIA to PMC Adapter



Product Summary

Technobox Part Number:	1473
Typical Power Dissipation:	TBD Watts
Power Supplies Required:	+5
PCI Signaling Environment:	5 Volt