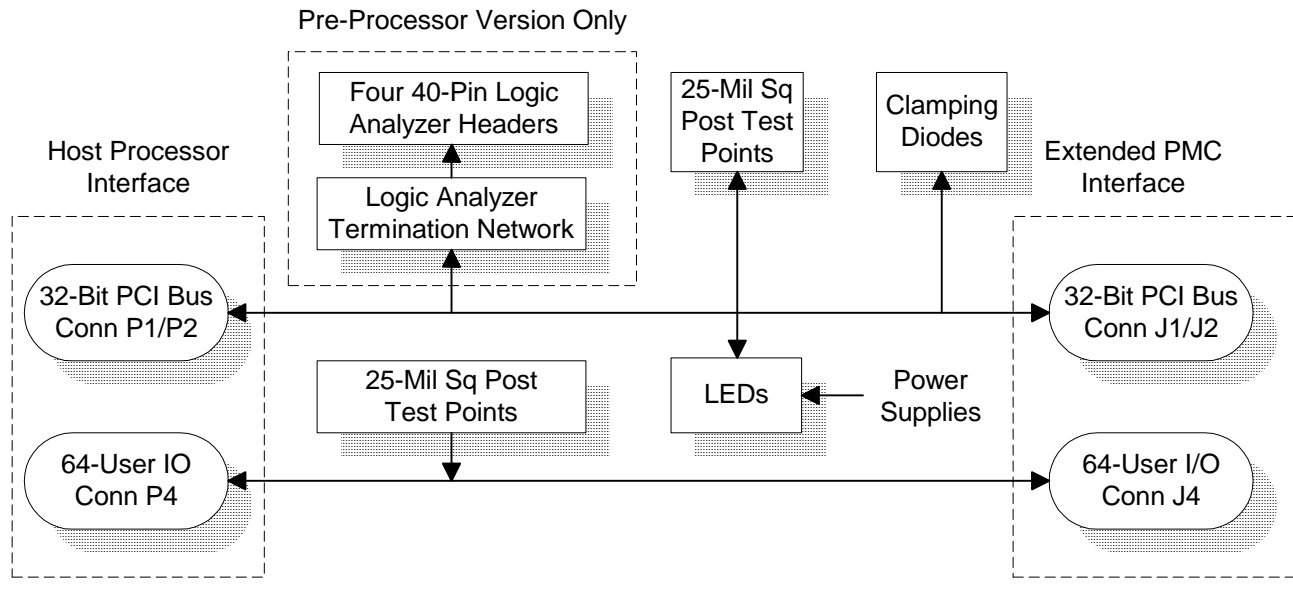


# PMC to PMC Extender/Preprocessor



The extender/pre-processor product from Technobox permits extension of a PMC card beyond the edge of a host processor front panel, providing access to both Side 1 and Side 2 of a PMC under test.

The product is offered in two configurations: an extender-only version, and an extender/pre-processor version. 'Pre-processor' functionality enables access to the entire 32-bit PCI bus data, address, and control signals for display on a Hewlett Packard 16xxx family logic analyzer. This permits observation of PCI transactions between the PMC under test and the host processor, as well as other general PCI activity on the host processor PCI bus.

Direct connection between the PMC P1/P2/P4 to J1/J2/J4 connectors implements the extender function. In the process, signals are picked-up by 100-mil centered, 25-mil square post test point headers for extender version and by logic analyzer terminators and headers for the pre-processor version. Support is provided for the 32-bit PCI bus and connection for the 64 rear user I/O signals.

The PMC connectors for the board under test are located immediately *behind* the host processor front panel, which minimizes PCI bus extension distance, yet allows access to the usable component area on a PMC. It is well suited for single-wide, standard thickness front panels, eliminating removal of the VMEbus front panel.

Several LEDs located on the extender/pre-processor help monitor power supply and other key signal activity. Also, three 'turret' style test points, located about

the board, provide convenient connection to signal ground when working with an oscilloscope.

The design features special high-speed schottky clamping diodes to ground for all PCI signals. This helps to quench undershoot and minimize transmission line effects when extending the PCI bus.

The extender-only version is factory-upgradable to the extender/pre-processor version. The factory upgrade incorporates four 40-pin logic analyzer headers and LogicAnalyzer termination, and the product is returned to the user with a software disk for the Logic Analyzer.

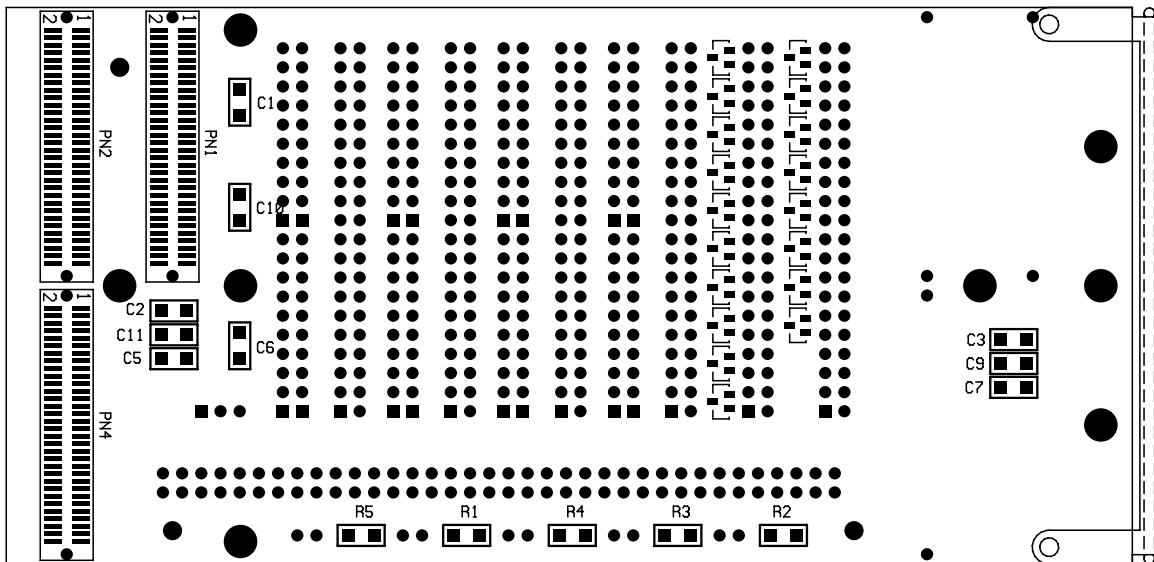
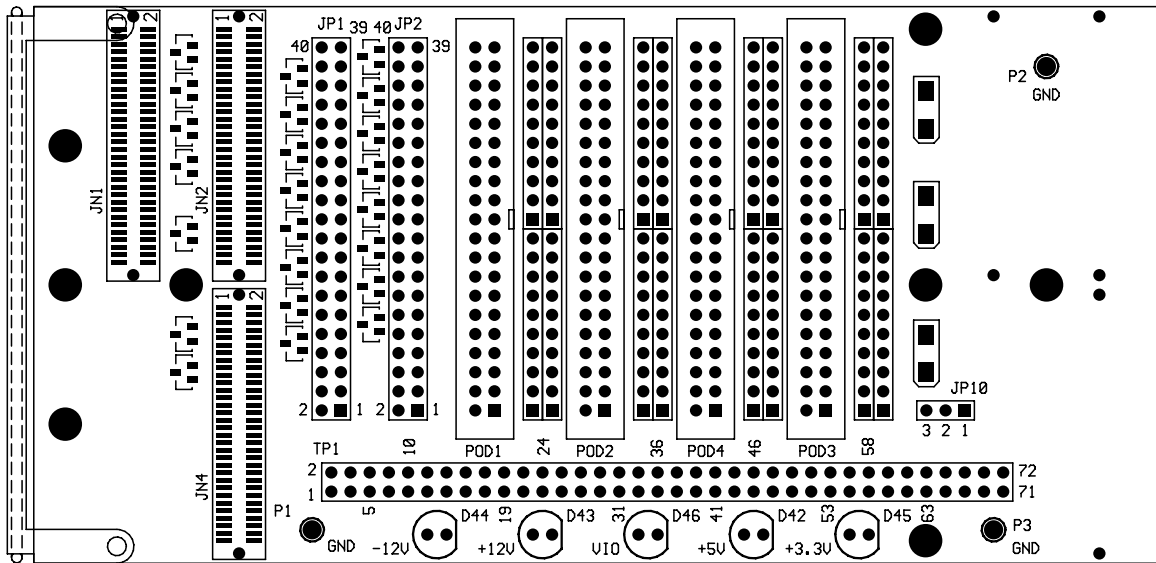
The LogicAnalyzer termination is provided on the pre-processor, so external termination adapters, which require extra space and cost, are unnecessary.

Pre-processor software permits setup and capture of PCI bus cycles. Cycles are displayed and annotated in a human readable fashion permitting prompt analysis of PCI bus activity.

Software provided with the pre-processor is developed by FuturePlus Systems, a company experienced with HP logic analysis of PCI bus systems. A demonstrated installed base of hundreds of FuturePlus Systems PCI pre-processors assures users of a robust and user-friendly HP logic analysis operating environment for PMC applications.

Note: to save wear and tear on this product for situations of frequent mating/unmating use, please refer to Technobox P/N 2183 "PMC Socket Saver."

# PMC to PMC Extender/Preprocessor



## Product Summary

Technobox Part Number:	1518 (Extender), 1523 (Preprocessor)
Typical Power Dissipation:	N/A
Power Supplies Required:	Per PMC under test
PCI Signaling Environment:	3.3 Volt, 5 Volt