

Storage XMC

Quadruple-Site M.2 PCI Express SSD Adapter XMC

The Technobox, Inc. P/N 9079 Quad-Site M.2 PCI Express SSD Adapter Conduction-Cooled XMC allows connection of up to four M.2 cards on a single-wide XMC.

Each M.2 site supports standard card lengths of 30 or 42mm by 22mm wide. The retaining hardware is installed at 42mm to accommodate the longer length.

An onboard Gen2 PCI Express (PCIe) switch connects one 4-lane upstream PCIe port to four 1-lane downstream ports. Each downstream port connects to a single M.2 card.

Each site supports a 1-lane PCIe Gen2 connection which works with 1-lane, 2-lane or 4-lane M.2 cards. This should provide more than ample performance for most applications.

Note that only PCIe capable M.2 cards, such as a Western Digital SDAPMUW-128G, will work with this product. SATA is not supported. Each

site is keyed for "M" keyed boards in accordance with the M.2 specification. Technobox, Inc. can install and test the carrier with M.2 cards as per customer specification.

Because M.2 cards can dissipate considerable power, the P/N 9079 couples the M.2 to surface power planes, which thermally couple to the VITA20 conduction-cooling features.

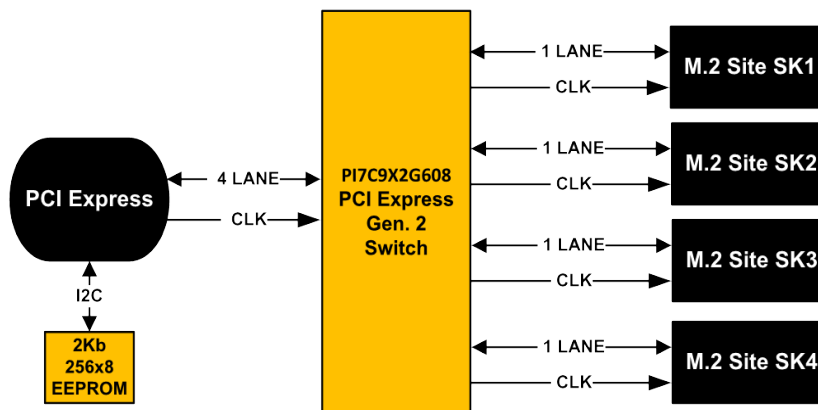
Although this is a conduction-cooled XMC, it will also work with an air-cooled host providing four M.2 cards for massive or redundant storage. For that application, order an optional adapter kit (P/N 6144).



* Drives not included

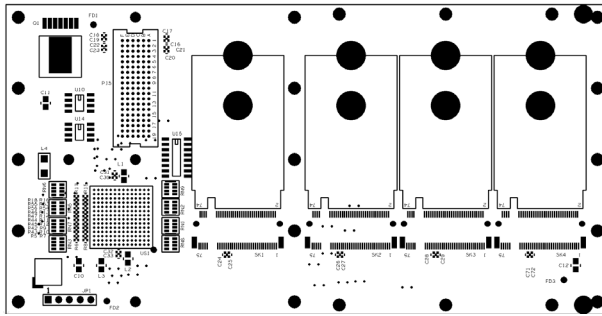
9079

- **Conduction-Cooled**
- **Advanced Thermal Design**
- **Four M.2 PCIe Sites**
- **For "M" Keyed Boards**
- **Accommodates 30 & 42mm Long Cards (Hardware Pre-Installed for 42mm)**
- **Optional Hardware Kit for Mounting Shorter Length M.2 Devices**
- **Optional Adapter Kit for Air-Cooling Available**
- **Onboard PCIe Switch**
- **4x Lane Gen2 Upstream**
- **1x Lane Gen2 Downstream Per Site**
- **PCI Express Only (SATA Not Supported)**
- **Industrial Temp Design**
- **Lead-Free**

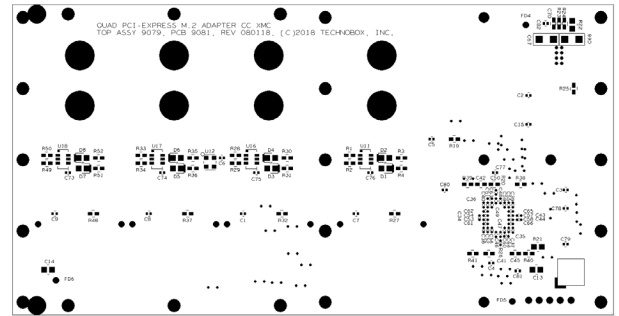


BLOCK DIAGRAM

Technobox[®], inc.



COMPONENT PLACEMENT VIEW - SIDE #1



COMPONENT PLACEMENT VIEW - SIDE #2

SPECIFICATIONS

Temperature (Operating): -40 to +85 degrees C

Temperature (Storage): -55 to +105 degrees C

Altitude: Not specified or characterized - similar equip. is at 15,000 ft.

Humidity (Operating/Storage): 5% to 90% non-condensing.

Vibration: Not specified or characterized

Shock: Not specified or characterized

MTBF: Can be calculated upon request

Weight: 59 grams, plus approx. 3 gram per drive

PCI Express: 4-lane, Gen. 2

Voltages Required: +3.3V

Power: 1.9 Amps on +3.3V with four M.2 cards in use

Power: 1.3 Amps on +3.3V with four M.2 cards idle

Power: 0.5 Amps on +3.3V with no M.2 cards populated

Size: 74mm x 143.76mm

ORDERING INFORMATION

9079: Quad-site M.2 PCI express SSD adapter XMC

8252: Optional hardware kit for mounting a single 32 or 42mm M.2 card (hardware for 42mm site is pre-installed on the 9079); kit includes one standoff, one screw and one round nut.

8257: #10 spanner bit with instruction sheet, used for securing M.2 cards to M.2 Technobox, Inc. carriers.

6144: Conduction-cooled to forced air-cooled

Technobox[®], inc.

Copyright © Technobox 2019

DS9079-B90115

Technobox, Inc.

154 Cooper Road, Suite 901
West Berlin, NJ 08091

Phone: 856-809-2306 • **Fax:** 856-809-2601

Email: sales@technobox.com

Website: www.technobox.com