

Storage Controller XMC

Dual CFast Adapter

The Technobox 6183 Dual CFast Adapter hosts two CFast cards, type I or type II, on a one lane PCI Express bus using a Silicon Image SI3132 bridge chip. The bridge chip supports two SATA Gen2 interfaces at 3.0 GB/s.

CFast cards are mechanically similar to the prior generation Compact Flash cards, but use the faster SATA differential signal interface for data transfers. Since the CFast and Compact Flash connectors are incompatible it is impossible to accidentally intermix CF media.

The front panel CFast card can be inserted and removed while the system is powered. A custom retaining mechanism secures the CFast device. An added feature of the retaining mechanism is a sensor to alert the host system when the retaining mechanism is removed. This sensor warns the software to complete all writes to the CFast card as removal is imminent.

The on-board CFast device is secured against shock and vibration with a locking mechanism, but unlike

the front panel site, the on-board device cannot be inserted or removed while the system is powered.

For customers already using Technobox P/N 5264, note that P/N 6183 is similar in function and form factors, offering an easy upgrade path to newer technologies. The two cards differ in that P/N 5264 is a PMC hosting two compact flash cards, while P/N 6183 is a XMC hosting two CFAST cards. Also note that P/N 6183 uses a Silicon Image SI3132 chip vs the SIL680 chip used on P/N 5264.

On-board BIOS, provided by Silicon Image and resident in flash memory, supports boot up configuration.

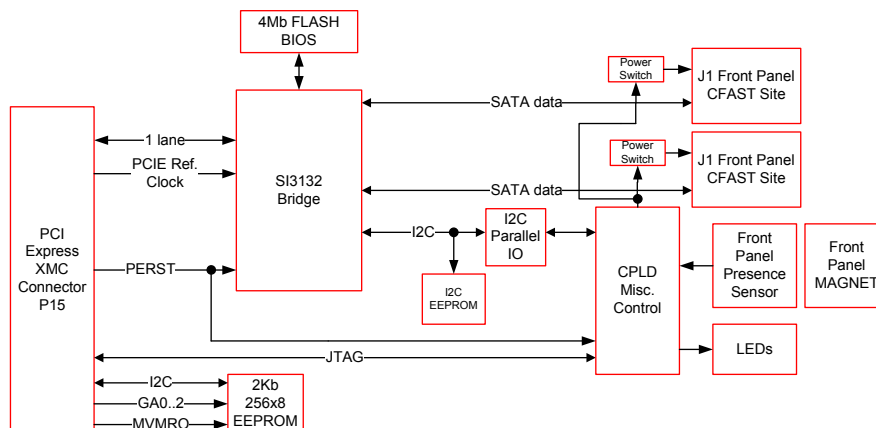
Two LEDs on the front panel provide activity status for the front panel and on-board CFast devices. Four LEDs on the body of the card give an indication of the LED1 and LED2 signals driven by each CFast site.

Contact Technobox for O/S and software support.

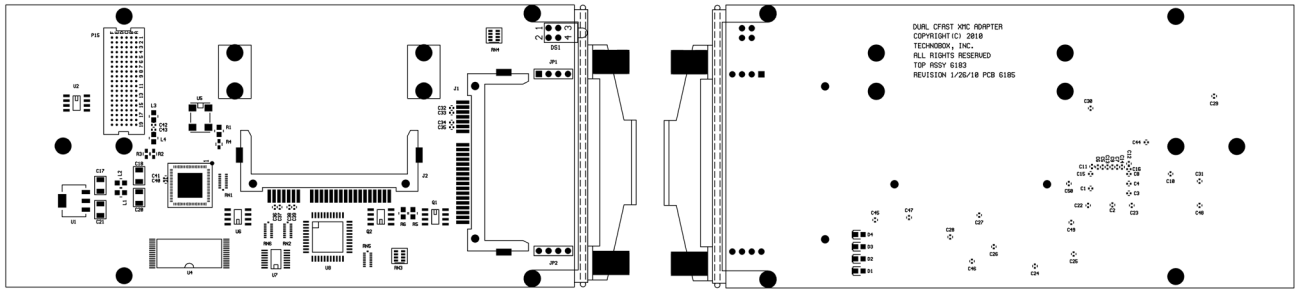


6183

- 1 lane PCI Express interface generation 1, 2.5 GHz
- Silicon Image SI3132 PCI express to SATA bridge
- Two CFast cards accommodated
- Front site supports hot swap
- Front panel retention mechanism with removal detection feature
- On-board CFast card with locking mechanism
- Commercial temperature
- RoHS-compliant, Lead-free



Technobox



Specifications

Temperature (Operating): 0 to +70 degrees C
Temperature (Storage): -40 to +85 degrees C
Altitude: Not Specified or Characterized. Typical similar equipment is at 15,000 ft.
Humidity (Operating/Storage): 5% to 90% non-condensing.
Vibration: Not specified or Characterized.
Shock: Not specified or Characterized.
MTBF: Available on request.
Weight: 78 grams
Power: TBD
PCI express: 1 lane, 2.5 GHz Gen 1.
Voltages Required XMC: +3.3V
Size 74 mm x 149 mm.

Ordering Information

6183: Dual CFast Adapter XMC (without media)

