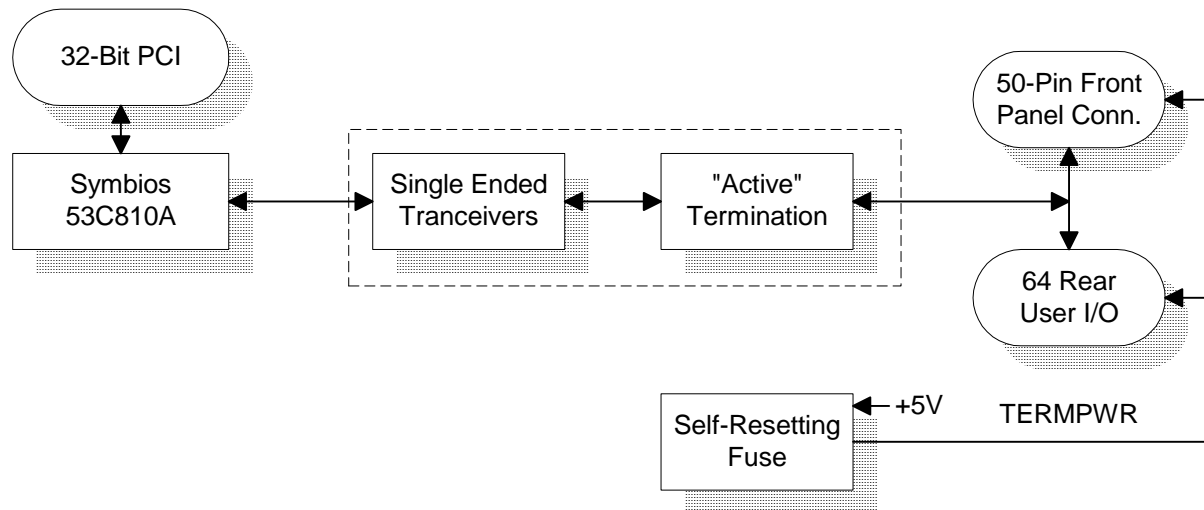


# Single Ended Narrow SCSI Adapter



The Narrow SCSI PMC adapter from Technobox interfaces a host board PCI bus to a standard SCSI interface via a Symbios 53C810A controller.

The SCSI bus is available out the front panel using a 50-pin "High Density" connector recommended by the ANSI X3.131 specification, which governs SCSI implementation. It is also available out the rear 64 user I/Os on the PMC, which are in turn connected to the P2 connector of a VMEbus host processor supporting rear I/O connectivity.

The pinout on the rear I/O is assigned such that a 50-mil pitch ribbon cable constructed with an IDC-DIN connector at one end, and a SCSI "Low Density" connector at the other end, can be used for connection to peripherals out the "a" and "c" rows P2 on the VMEbus.

This particular board is designed for single-ended operation. 'Active' Termination, referenced with 2.85 volts, is used on the board and is enabled by an on-board switch, as is the case if this board is at the end of a SCSI bus.

The 53C810A SCSI controller from Symbios Logic (formerly NCR Microelectronics) features an intelligent processing engine which executes special programs (*Scripts*) in the host processor memory to effect SCSI sequences. This reduces processor overhead in handling the SCSI interface operation.

The 53C810A controller supports 1-byte wide SCSI buses ("Narrow") operating in either asynchronous pro-

ocol.

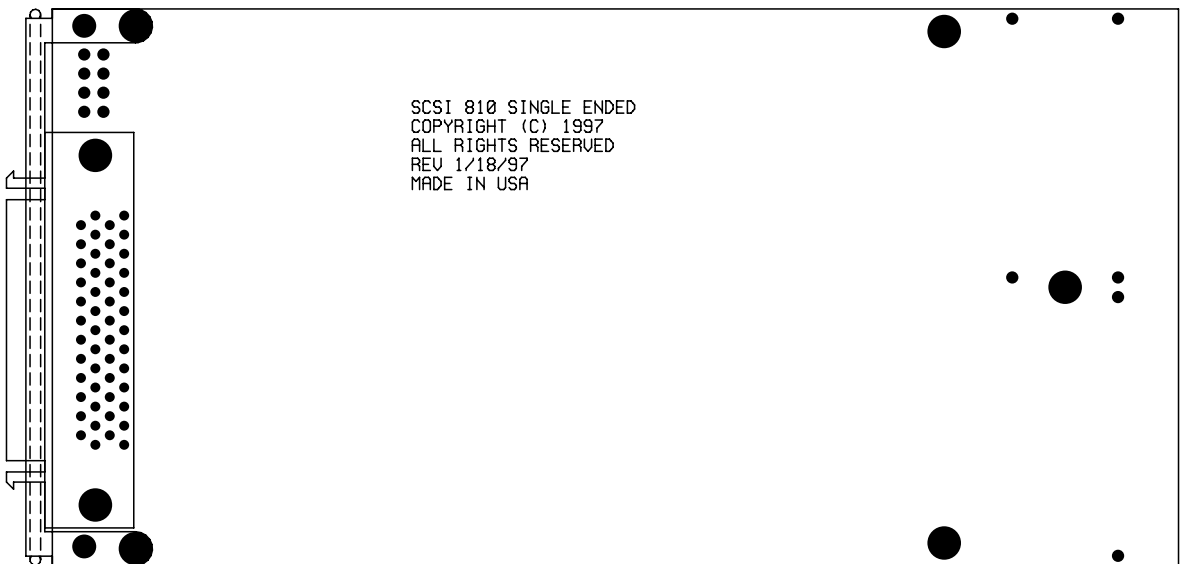
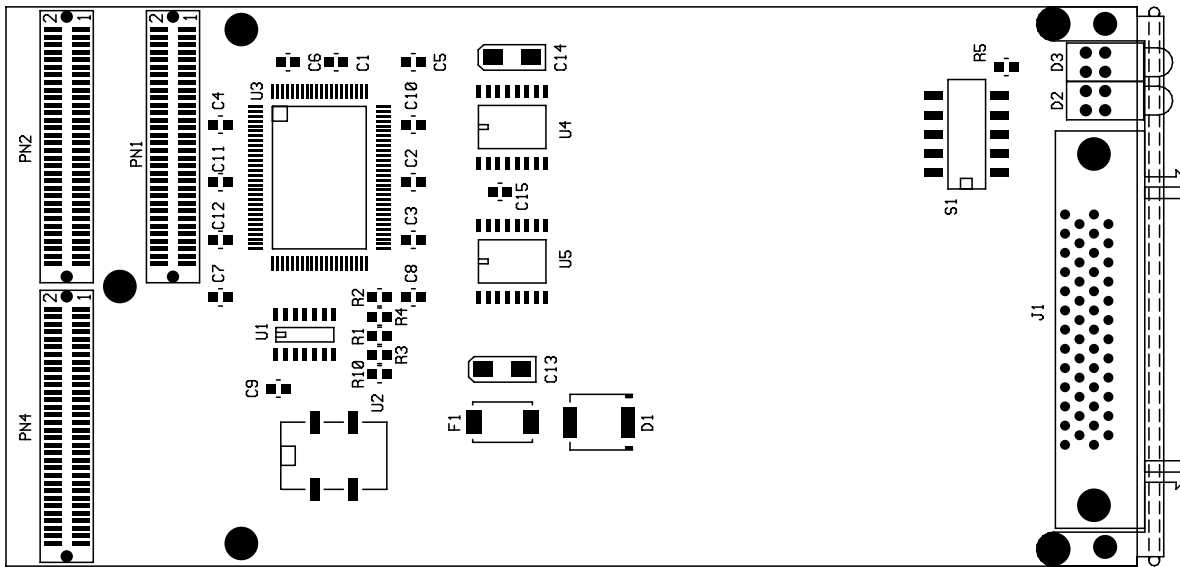
Four indicator LEDs are available at the front panel and are visible from outside the VMEbus card cage. There is an indicator for board power and TERMPWR. Also, two general-purpose programmable outputs from the 53C810A part drive two LEDs, and these will generally be programmed by the software to indicate SCSI activity.

The SCSI PMC adapter provides termination power ("TERMPWR") through a Schottky diode as is typically done in most SCSI implementations. This design also features a self-resetting fuse in series with TERMPWR to reduce current levels in the event the TERMPWR is shorted on the SCSI bus.

Software supplied with this product consists of the binary object code usually licensed with the sale of each Symbios part. Please contact Symbios or Technobox for more information regarding software support.

This product is intended to be a low-cost, minimal SCSI implementation. For higher performance "Fast/Wide" applications, please refer to Technobox P/N 2043/2044 53C875-based products.

# Single Ended Narrow SCSI Adapter



## Product Summary

Technobox Part Number:	1889
Typical Power Dissipation:	TBD watts
Power Supplies Required:	+5
PCI Signaling Environment:	5 Volt