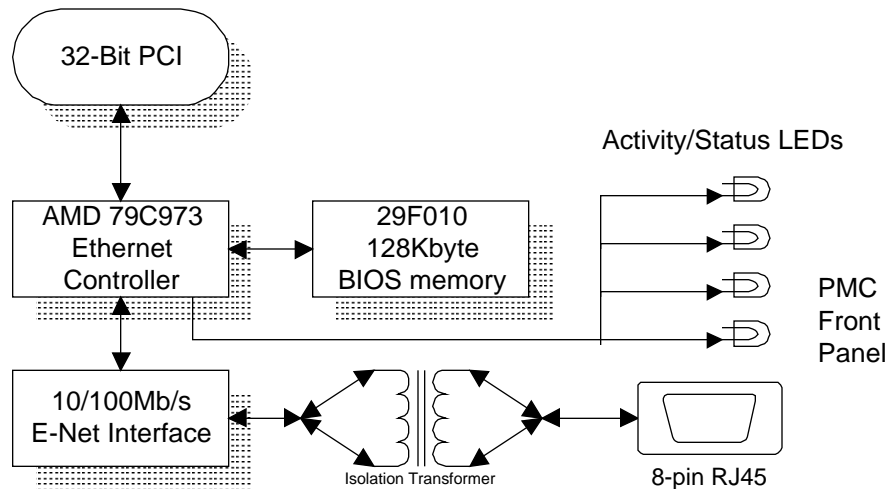


10/100-TX Ethernet Adapter



The 10/100-TX Mb/s EthernetAdapter provides a single port Ethernet connection using twisted pair media.

AnAMD 79C973 Ethernet controller provides a integrated link and physical layer for operating at either 10 Mb/s or 100 Mb/s.

For convenience, this adapter provides an RJ45 connector at the front panel, thereby avoiding the need for unusual adapter cables.

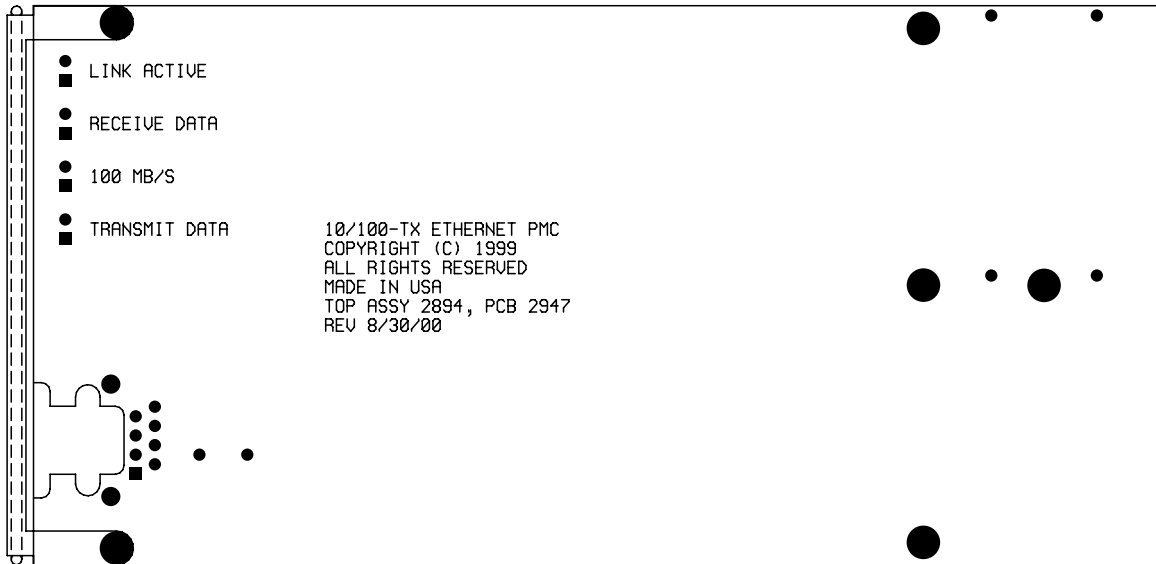
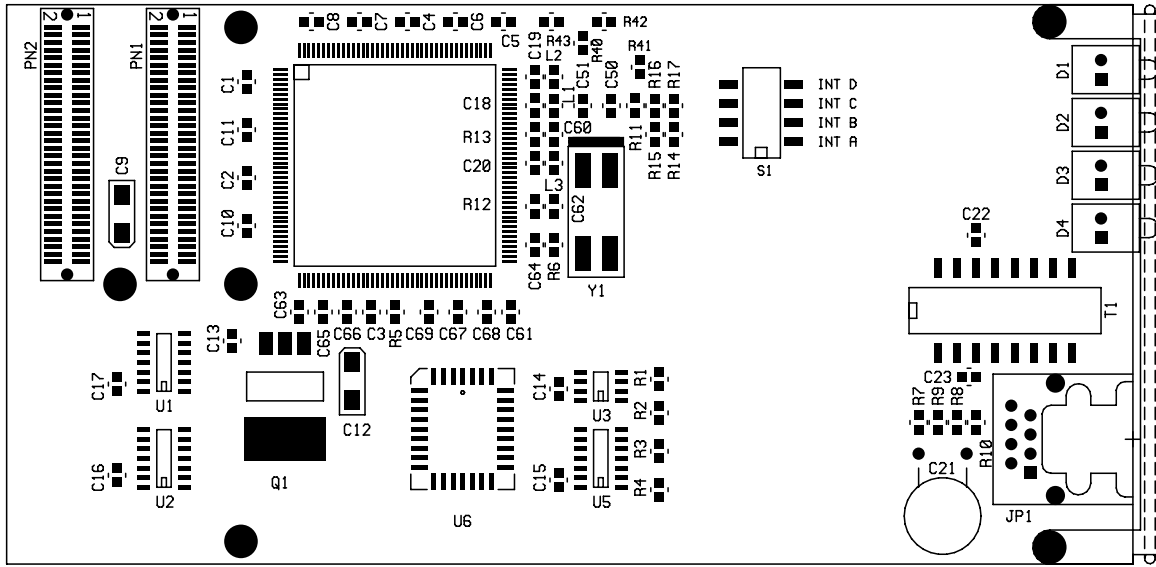
The board features a FLASH memory for storing an on-board BIOS. A 29F010 chip is used, providing up to 128Kbytes of BIOS storage.

A 4-position DIP switch on the board connects the 79C973 interrupt request line to one of the 4 interrupt requests on the PCI bus - INTA, INTB, INTC or INTD.

Four green activity and status LEDs are visible from the PMC front panel. Interrupts are posted on the PCI bus using Interrupt Request "A" (INTA).

TheAMD 79C973 is supported by many operating systems with built-in Ethernet support. Drivers are available for both Windows and VxWorks.

10/100-TX Ethernet Adapter



Product Summary

Technobox Part Number:	2894
Typical Power Dissipation:	TBD watts
Power Supplies Required:	+5
PCI Signaling Environment:	5 Volt or 3.3 Volt