

PMC Carrier / Adapter

Metering PMC-X to PCI-X Adapter with PIM Support

The Metering PMC-X to PCI-X adapter is a development that can be used for debugging and/or demonstrating the performance of a PMC card in a standard PCI slot.

The adapter supports 64-bit PCI bus through the use of JN1, JN2, and JN3 connectors per the IEEE 1386.1 specification. Both standard PCI signaling (32/64bit, 33/66 MHz) and PCI-X signaling (32/64bit, 66/100/133 MHz) are supported.

A PMC I/O Card (PIM - VITA 36) can be attached to the card via headers JN5 and JN6. The PIM signals are connected to the PMC site JN4 connector in a one-to-one signal fashion as customarily done for PIM applications.

Both the PMC and PIM under test are vertically oriented, exposing the bulk of the component areas for probing access.

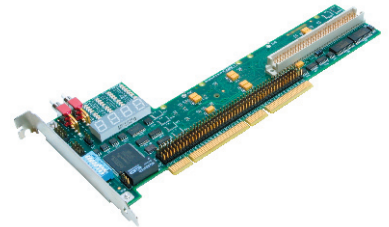
The rear I/O connections for the PMC and PIM sites also go to the "a" and "c" rows of a 96-pin DIN connector (JV1). Wiring follows the recom-

mended practice of the IEEE 1386 specification.

The PCI bus is available for selective probing with an oscilloscope or logic analyzer via 0.1-inch centered 0.025-inch square post headers immediately adjacent to the PCI edge finger.

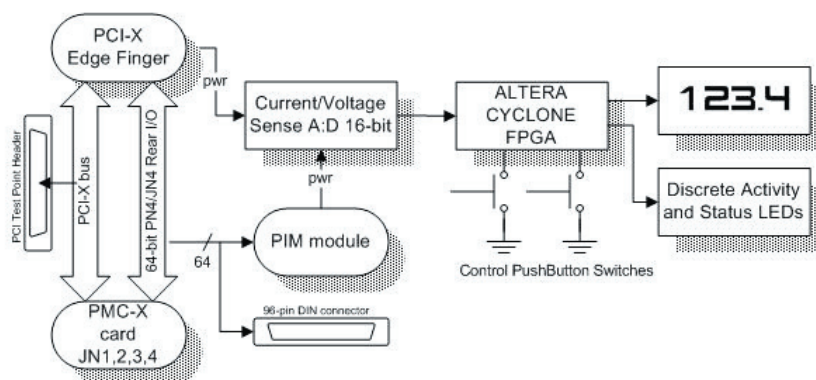
This board has been carefully designed to minimize signal lengths on the PCI signals. The PMC connectors are centered and placed immediately adjacent to the PCI edge finger, and are located on the opposite side of the printed circuit board to avoid crisscrossing signal runs. Four impedance-controlled signal layers and four power planes (2xGND, 3.3V, and 5V) are employed to minimize transmission line effects.

Unique to this board is a convenient digital LED metering function that separately measures power supply voltages (+3.3V, +5V, +12V, -12V) and current draw of the PIM and PMC sites. A built-in frequency counter measures PCI bus clock

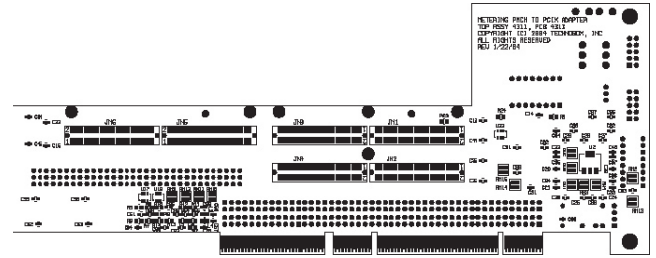
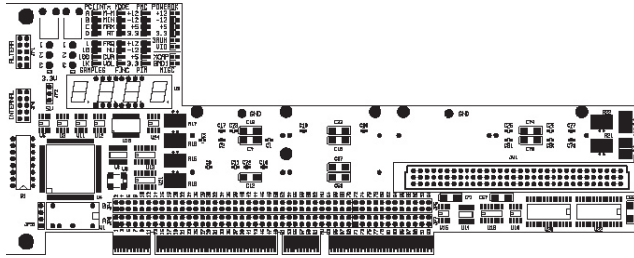


5819

- **PMC-X to PCI-X Adapter with bus Metering functions**
- **Multiple metering functions with LED readout**
- **Supports PCI (33/66 MHz) and PCI-X (66/100/133 MHz)**
- **Accommodates both PMCs and PIMs**
- **Optimized design to preserve signal quality**
- **XCAP and M66EN signals support**
- **RoHS Compliant**



Technobox



frequency. Control of the meter mode and display is accomplished via two push-button switches.

LEDs display the selected meter mode and satisfactory power supply voltage levels, as well as PCI "interrupt" line (INTx) activity. Meter modes include Real-Time display, Minimum and Maximum value cap-

ture, Range (Min-Max) display and averaging over a selectable number of samples.

The XCAP and M66EN signals are supported by this board as direct connections between the PMC site and PCI edge finger. Additionally, these connections may be reconfigured by DIP switch settings

to force operation at non-X or lower PCI clock frequencies.

Since this is a passive adapter, no additional software support is required for operation in a PCI slot. Software support for the PMC under test is provided by the PMC supplier.

Specifications

Temperature (Operating): 0 to 55 C
 Temperature (Storage): -40 to +85 C
 Altitude: Not specified or characterized (Typical similar equipment is at 15,000 ft.)
 Humidity (Operating/Storage): 5% to 90% non-condensing
 Vibration: Not specified or Characterized
 MTBF: Can be provided upon request
 Typical Power Dissipation: Per PMC under test
 PCI Environment: 3.3V, 5V, PCI-X 32/64b, 33/66/100/133 MHz

Ordering Information

Part Number: 5819

