

PMC Carrier / Adapter

PMC to PCI Express (4X) Adapter

The Technobox 6777 adapter is designed to host a PMC in a PCI Express (4X) site. The adapter orients the mezzanine card in a reverse manner such that the rear I/O from PN4 appears at the 68-pin SCSI-style connector installed on the adapter's bracket. Furthermore, the reverse orientation of the card permits direct access to the standard front I/O (if any) within the host chassis. The differential pairing between PN4 and J1 is available in two styles — Standard and VITA 46.

A distinctive feature of the adapter is its high-capacity blower-style fan. An on-board fan controller measures the ambient temperature near the the fan mounting plate and adjusts the fan speed accordingly.

A status monitor program provides temperature readings and a way to set fan parameters. Using a special cable (P/N 6351), any dumb terminal can be attached to the adapter via its on-board serial port.

Several LEDs give an indication of PCI Express lane good status and important voltages.

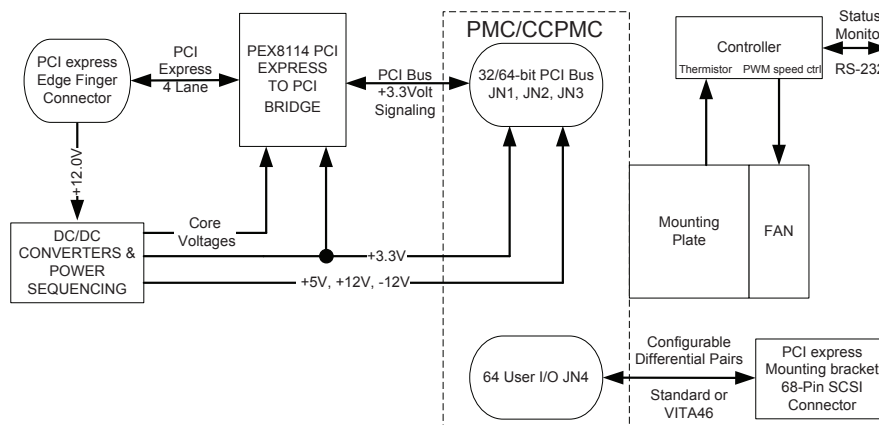
The XCAP and M66EN signals are supported by DIP switch settings to force operation at user selectable PCI clock frequencies.

The adapter features a PLX PEX8114 bridge IC used in transparent mode with a PCI Express primary side and a PCI/PCI-X secondary side. The primary side of

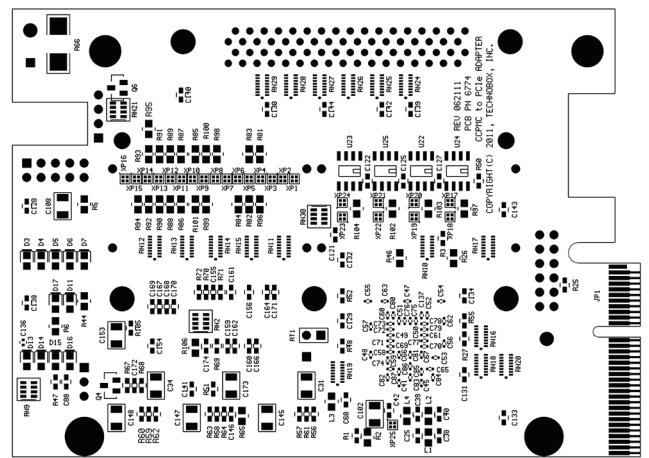
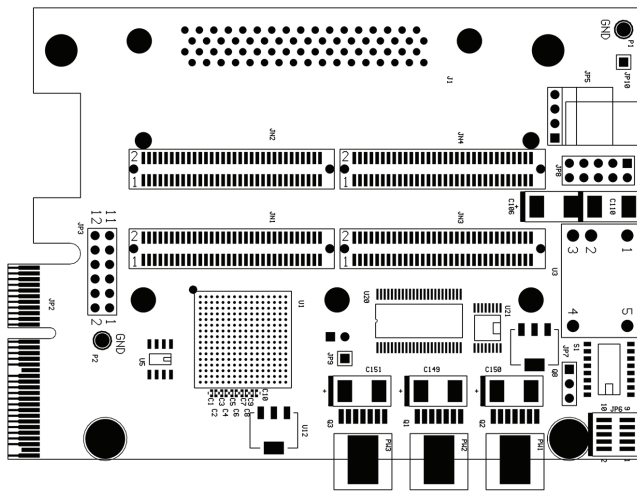


6777
.....

- Adapts PMC to PCI Express (4X) Slot
- Re-oriens PN4 I/O interface for external access via PCI bracket
- 68-pin, SCSI-style interface
- PEX8114 PCI Express Bridge
- High-volume, adjustable blower fan assembly
- PSOC-enabled functions, including temperature monitoring and fan speed control
- 33, 66, 100, or 133 MHz; 32- or 64-bit PCI or PCI-X
- PCI signaling +3.3V only
- PMC voltages +3.3V, +5V and -12V generated by high-efficiency DC/DC converters
- RoHS compliant
- Industrial temperature



Technobox



the PEX8114 bridge is a four lane (4X) generation 1 PCI Express interface. The PCI/PCI-X secondary side operates at 33, 50, 66, 100 or 133 MHz in 32 or 64 bit bus width mode. Use of 5V only PCI signaling ccPMC cards is prevented by voltage keying.

however, may be necessary. Consult the card's manufacturer or an affiliated supplier for details.

edge finger connector. For better power supply regulation the major on-board voltages (+3.3V, +5V, and -12V) are supplied from DC-to-DC converters.

This adapter is typically supported by the operating system. Software support for the mezzanine card,

The JTAG signals from the mezzanine's PCI and PCI Express connectors are brought out to headers allowing users the option of connecting to the JTAG ports.

All power is supplied from the +12V connections on the PCI express

Specifications

Temperature (Operating):	-40 to +85 degrees C
Temperature (Storage):	-50 to +100 degrees C
Altitude:	Not Specified or Characterized
Humidity(Operating/Storage):	5% to 90% non-condensing
Vibration:	Not specified or Characterized
Shock:	Not specified or Characterized
MTBF:	Available on request
Weight	635 grams
PCI Signaling:	3.3V only
Voltages Required PCIe:	+12V +/-5%
Amperage: (no PMC and no fan)	+12V 0.320 amps
PMC 5V amperage max:	3.0 amps at 85 deg. C
PMC 3.3V amperage max:	3.0 amps at 85 deg. C
PMC -12V amperage max:	0.75 amps at 85 deg. C
PMC +12V amperage max:	1.0 amps at 85 deg. C

Ordering Information

- 6777: PMC to PCI Express Adapter – Standard differential PN4 I/O
- 6778: PMC to PCI Express Adapter – VITA 46 differential PN4 I/O
- 6351: Cable to interface temperature and fan control features



Technobox, Inc.
 140 Mount Holly Bypass
 Unit 1
 Lumberton, NJ 08048
 Tel: 609-267-8988 • Fax: 609-261-1011
www.technobox.com