

Storage Controller XMC

Conduction-cooled CFAST Adapter

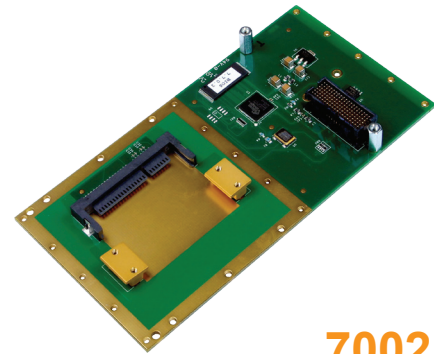
The Technobox 7002 is a conduction cooled XMC which hosts one CFAST card for storage applications.

A Silicon Image SI3132 controller interfaces a one lane PCI express bus and a SATA Gen 2 interface at 3.0 GB/s, a third I2C interface accesses an EEPROM, for its configuration data.

The CFAST card type I or type II is secured against shock and vibration by a locking mechanism, and is not intended to be inserted or removed while the system is powered.

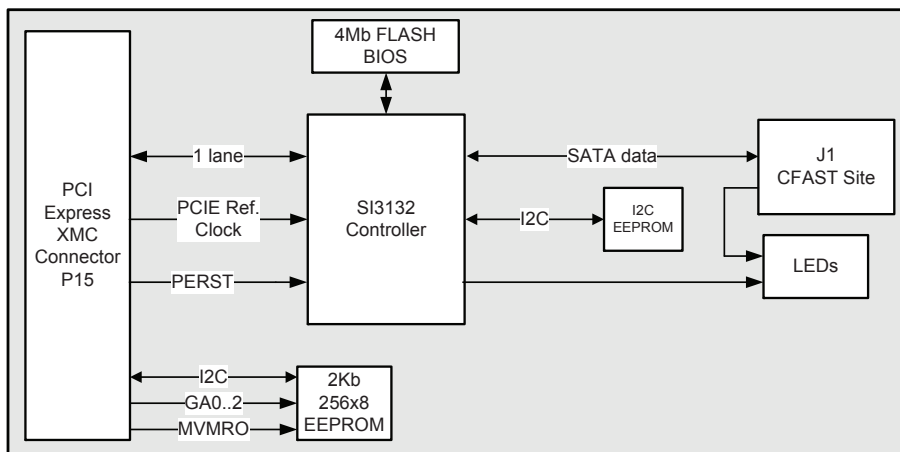
An on-board BIOS, provided by Silicon Image and resident in flash memory, supports boot up configuration.

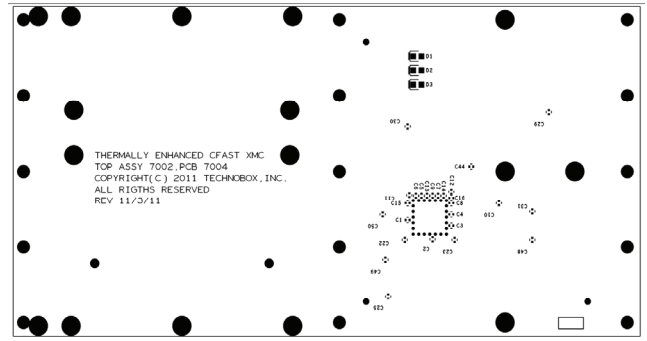
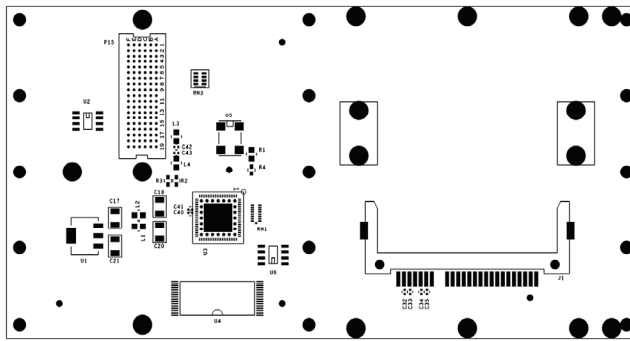
Two LEDs on the body of the card give an indication of the LED1 and LED2 signals driven by the CFAST card, and a third LED gives an indication of the drive activity.



7002

- **Accepts CFAST Media (Types I and II)**
- **Silicon Image Sil3132 controller**
- **PCI Express Interface (2.5 GHz) 1X Lane**
- **Optional Anti-fret Bar**
- **Media optional**
- **RoHS-compliant, Lead-free**





Specifications

Temperature (Operating): 0 to +70 degrees C
 Temperature (Storage): -40 to +85 degrees C
 Altitude: Not Specified or Characterized Typical similar equipment is at 15,000 ft.
 Humidity (Operating/Storage): 5% to 90% non-condensing
 Vibration: Not specified or Characterized
 Shock: Not specified or Characterized
 MTBF: Available on request
 Weight: 51 grams without CFast device
 Voltages Required: 3.3V
 PCI Signaling: 1 Lane, 2.5 GHz
 Power: TBD

Ordering Information

7002: Conduction-cooled CFast Adapter XMC (without media)
 6144: Front Panel Kit to Adapt 7002 for use with Standard Convection-cooled Carriers

