

# Storage Controller XMC

## 2.5-inch HDD / SSD Adapter

The Technobox P/N 7008 is designed to adapt a standard 2.5-inch SATA drive (HDD or SSD) to the XMC form factor. The Silicon Image SI3132 controller provides an interface between a one lane PCI express bus and a SATA Gen 2 interface at 3.0 GB/s.

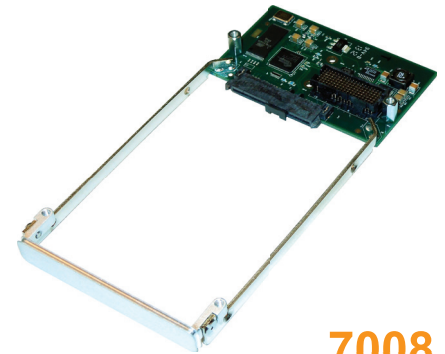
To assure proper mating to a host board or carrier, the SATA drive interface connector on the adapter is positioned to assure that the mounted HDD or SSD does not violate the XMC component envelope. Steel rails are attached to the printed circuit board, allowing for a secure, robust installation.

An on-board BIOS, provided by Silicon Image and resident in flash

memory, supports boot up configuration. A green status LED on the printed circuit board conveys the activity of the installed drive.

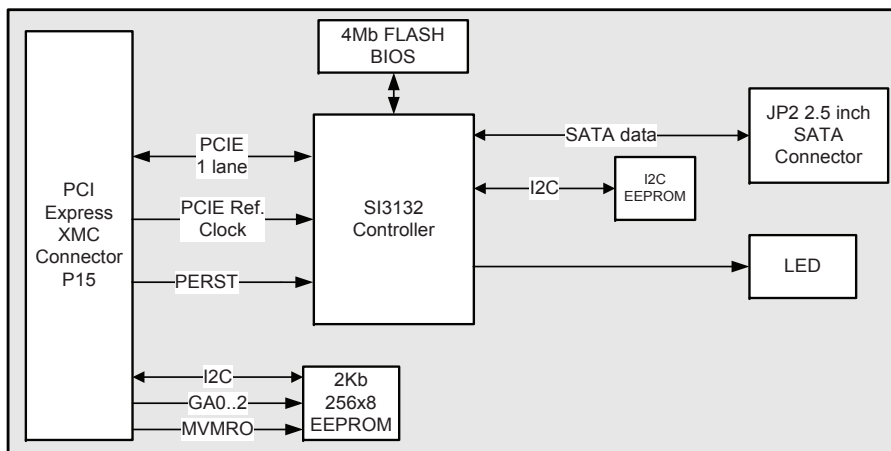
This 7008 is normally supplied without a drive, permitting purchase of drives for installation by the user. If necessary, Technobox can develop a bundled solution as an additional service.

Please contact Technobox for O/S and software support.

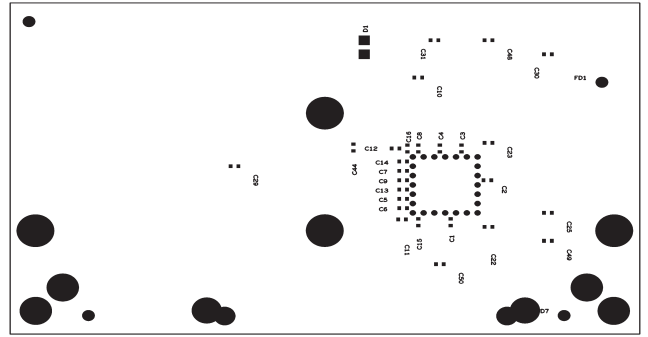
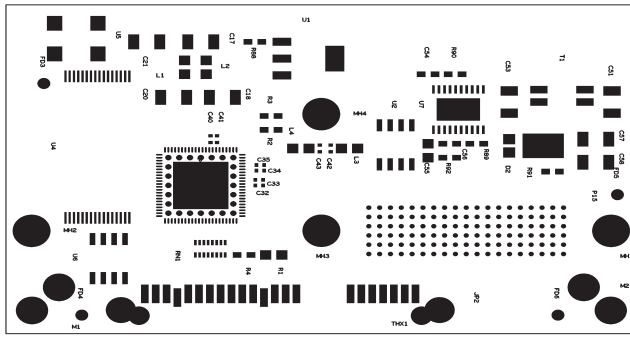


**7008**

- Accepts 2.5-inch SATA HDD or SSD
- Silicon Image Sil3132 controller
- PCI Express Interface (2.5 Gb/s) 1X Lane
- On-board Drive Activity LED
- Media Optional
- RoHS-compliant, Lead-free
- Commercial Temperature



**Technobox**



### Specifications

Temperature (Operating): 0 to +70 degrees C  
Temperature (Storage): -40 to +85 degrees C  
Altitude: Not Specified or Characterized Typical similar equipment is at 15,000 ft.  
Humidity (Operating/Storage): 5% to 90% non-condensing  
Vibration: Not specified or Characterized  
Shock: Not specified or Characterized  
MTBF: Available on request  
Weight: 45 grams without drive.  
Power: TBD  
PCI express: 1 lane, 2.5GHz Gen 1.  
Voltages Required XMC: +3.3V, VPWR, +12V  
Voltages Available Drive: 3.3V, +5V, +12V  
Size 74 mm x 149 mm.

### Ordering Information

7008: 2.5-inch HD / SSD Adapter - VITA 42 Connector  
(without media)  
7962: 2.5-inch HD / SSD Adapter - VITA 61 (XMC 2.0)  
Connector (without media)

**Technobox<sup>®</sup>, inc.**

Copyright © Technobox 2012

DS7008-B20716

Technobox, Inc.  
154 Cooper Road, Suite 901  
West Berlin, NJ 08091-9112  
Tel: 856-809-2306 • Fax: 856-809-2601  
www.technobox.com • info@technobox.com