

Storage XMC

Single Site M.2 PCI Express SSD Adapter XMC

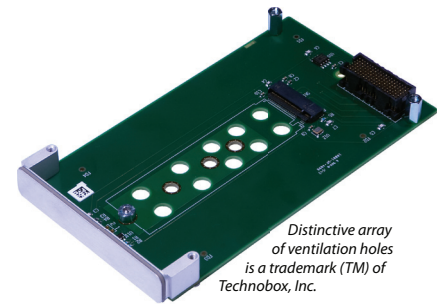
The Technobox 7673 single site M.2 adapter XMC allows connection of one M.2 cards on a single-wide XMC.

The M.2 site supports standard M.2 lengths of 30, 42, 60 and 80 mm. All are 22 mm wide. The board is supplied pre-installed with hardware for the 80mm depth M.2, which appears to be the commonly available length for M.2 SSDs. Users with an arbor press and correct tooling may remove the press-fit standoff and reposition it for depths other than 80 mm. Or, a hardware kit (P/N 8252) is available with standoff, screw, and round nut for a single site, and this can be user-installed without an arbor press. One hardware kit is needed if users need to change from 80mm to a shorter length M.2 board.

For this product, the M.2 site supports a 4-lane PCI-express connection which will work with 1X, 2X, or 4X M.2 cards. PCI-express Gen 1 (2.5Gb/s), Gen 2 (5 Gb/s) and Gen 3 (8 Gb/s) are supported by this XMC.

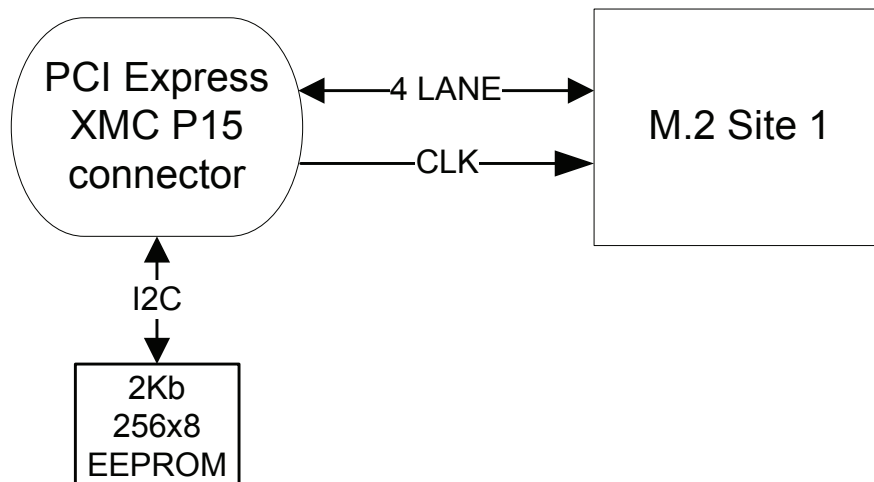
Note that only PCI-express capable M.2 cards, such as a Samsung XP941/951, will work with this XMC. SATA is not supported. Each site is keyed for "M" style boards in accordance with the M.2 specification.

M.2 cards can dissipate considerable power, and the Technobox XMC card provides ventilation holes such that forced-air cooling parallel to the plane of the XMC will draw air through the M.2 cards. Forced air cooling is highly recommended for this product.

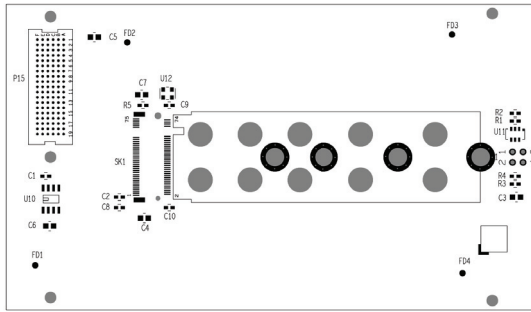


7673
.....

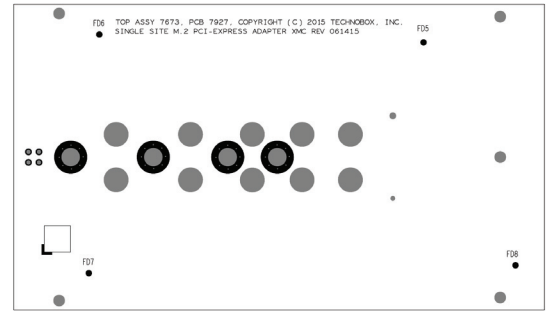
- One M.2 PCI-e site
- M-keying
- 30, 42, 60, 80 mm length cards (hardware pre-installed for 80mm)
- 4X lane up to GEN 3 speeds.
- Unique ventilation feature for optimum cooling
- Optional hardware kit for 30, 42, and 60 mm cards
- PCI-express only (no SATA)
- Industrial temperature range
- Lead Free



Technobox



Component Placement View - Side 1



Component Placement View - Side 2

Specifications

Temperature (Operating): -40 to +85 degrees C
 Temperature (Storage): -55 to +105 degrees C
 Altitude: Not Specified or Characterized. Typical similar equipment is at 15,000 ft.
 Humidity (Operating/Storage): 5% to 95% non-condensing
 Vibration: Not specified or Characterized
 Shock: Not specified or Characterized
 MTBF: Can be calculated upon request
 Weight: 44.3 grams
 Voltages Required: +3.3 V
 PCI Express: Gen1 (2.5 Gb/s), Gen2 (5 Gb/s), and Gen3 (8 Gb/s)
 Power: Application dependent

Ordering Information

7673: Single Site M.2 PCI Express SSD Adapter XMC
 8252: Optional hardware kit for mounting a single 30, 42, or 60 mm M.2 card (hardware for 80 mm site is pre-installed on the 7971); kit includes one standoff, one screw, and one round nut
 8257: # 10 spanner bit with instruction sheet, used for securing M.2 cards to M.2 Technobox carriers .



Copyright © Technobox 2015 DS7673-B51123
 All other brands or names are property of their respective holders

Technobox, Inc.
 154 Cooper Road
 Suite 901
 West Berlin, NJ 08091
 Tel: 856-809-2306 • Fax: 856-809-2601
 www.technobox.com info@technobox.com