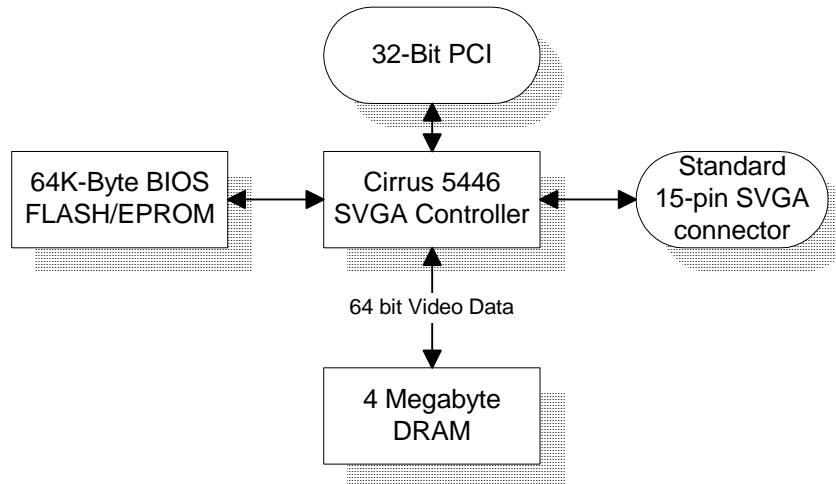


Super Video Graphics Array (SVGA) Adapter (4MB)



The Technobox Super Video Graphics Array (SVGA) Adapter PMC implements a standard graphics controller similar to graphics controllers found in Personal Computer applications.

The SVGA PMC uses a Cirrus CL-GD5446, which is a high-end graphics controller chip at the top of Cirrus Logic's mature 54X6 graphics controller family.

All standard video formats from 640x480 to 1280x1024 are supported by this PMC, with 1-byte (256 colors), 2-byte (65K colors), and 3-byte (16.8M colors) RGB color palette resolutions.

For digital video camera applications, the Cirrus 5446 uniquely supports YUV 4:2:2 format, as well as RGB-8 and RGB-16 formats.

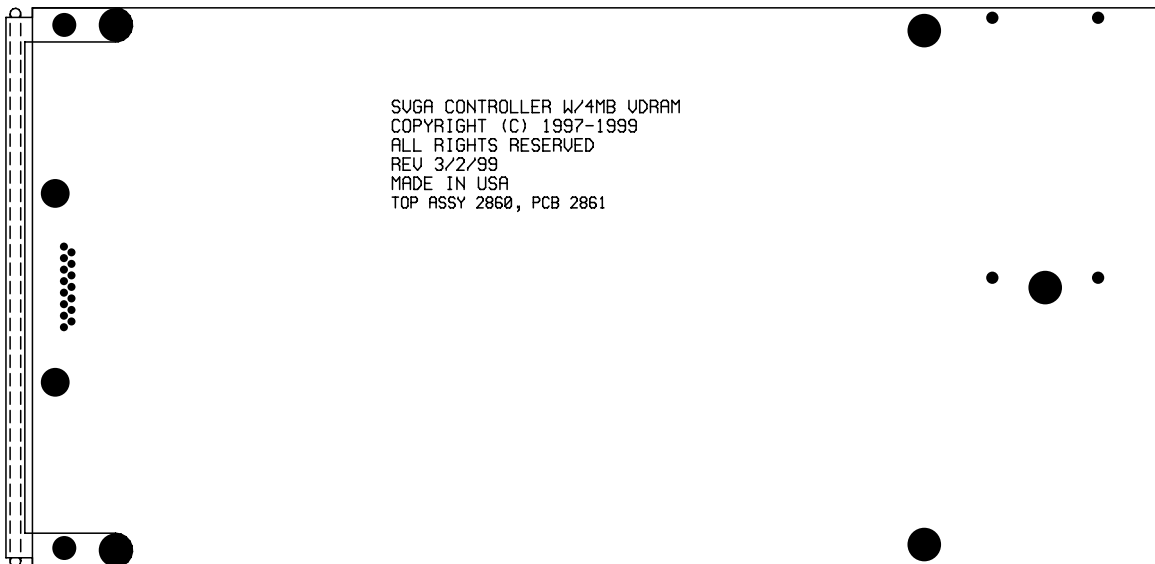
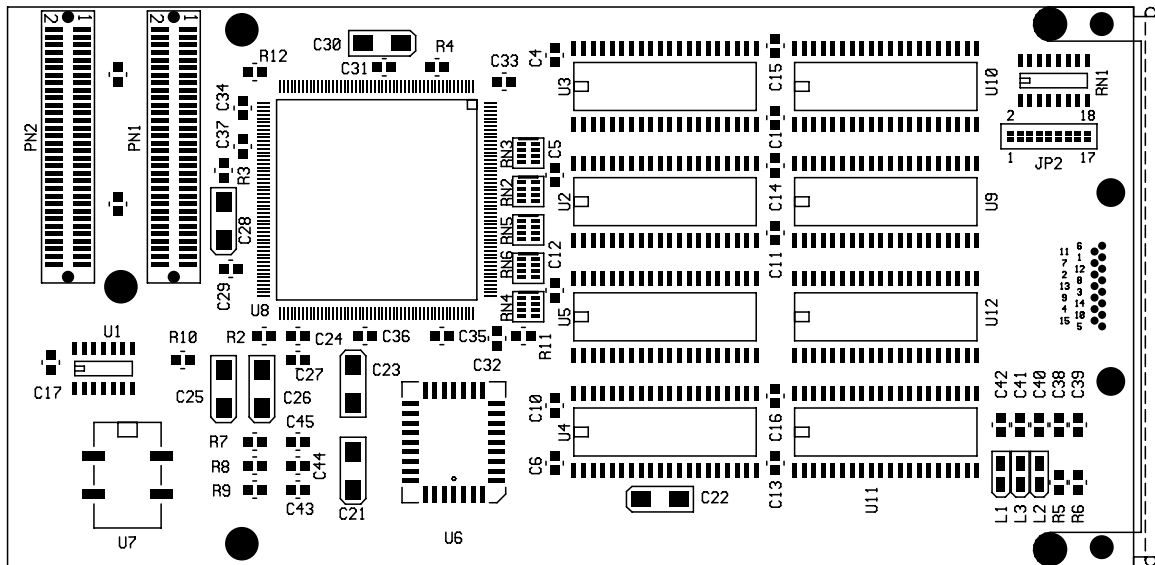
A 64K-byte FLASH/EPROM memory located on the board holds the BIOS code for Intel processor applications.

4-Megabytes of DRAM-based Video Buffer is used on the board. The data path between the video DRAM and the 5446 SVGA controller is a full 64-bits. This supports high-performance block transfers between the PCI bus and video memory.

Drivers available for this board include Windows 3.x, 95, and NT.

Unique to the Technobox SVGA PMC design is use of a standard 15-pin D-SUB SVGA connector available at the PMC front panel. This allows users to directly connect readily-available external SVGA cables to the PMC, without having to use any special adapter cables.

Super Video Graphics Array (SVGA) Adapter (4MB)



Product Summary

Technobox Part Number:	2860
Typical Power Dissipation:	TBD Watts
Power Supplies Required:	+5
PCI Signaling Environment:	5 Volt