

# Asynchronous I/O PMC

## 8-Port RS422 Async Communication PMC

This eight-port async communication PMC provides eight industry standard 16550-based UARTs using RS422 signaling levels. All eight ports are available out the PMC front-panel on J1 68-pin SCSI-style connector. FAST/WIDE SCSI cables can be used to connect between J1 and the users system wiring.

All eight ports are also wired to the PN4 connector at the rear of the PMC, allowing connection to the VMEbus P2 connector for host processors supporting rear-I/O. These signals are carried on the "a" and "c" rows on the P2 connector. There are other standard connection configurations for the P0/J0 (enhanced VME and cPCI) and the "d" and "z" rows of an enhanced DIN connector.

Each port provides the full set of data and modem control lines configured for DTE (i.e., computer side) operation:

- RTS (Request to Send)
- CTS (Clear to Send)

- TXD (Transmit Data)
- RXD (Receive Data)

The eight ports each provide the 4 signals above, exhausting 64 of the 68 pins on the SCSI cable; the additional 4 pins of the SCSI cable are connected to signal ground on the PMC card. For the P2 connector I/O, the signal grounds on the P2 "b" row, as established by the VMEbus specification, can be used for the RS422 port signal ground.

Since the PN4 signals and J1 signals are in parallel and are not buffered, it is not possible to use both connections simultaneously.

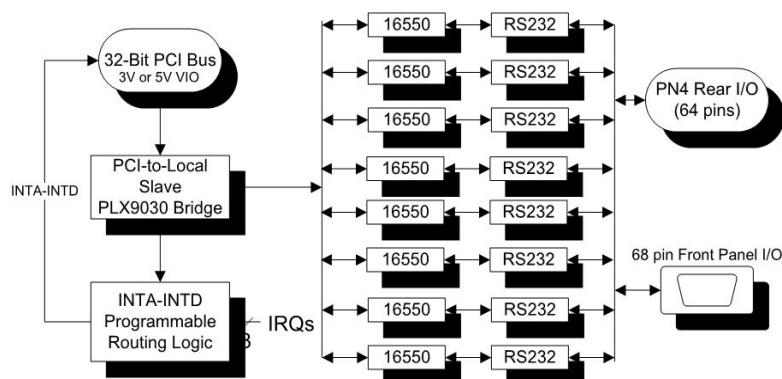
The UARTs operate at standard baud rates from 300 baud to 115K-baud. Other odd-baud rates are possible and are available on special order. The UART IC used is a 16C554, which contains four independent 16550 UARTs.

The bridge between the 16550 register set and the PCI bus

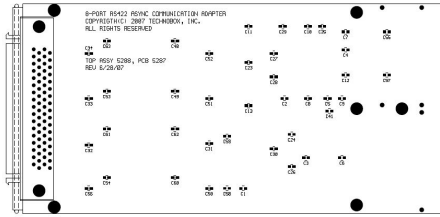


# 5288

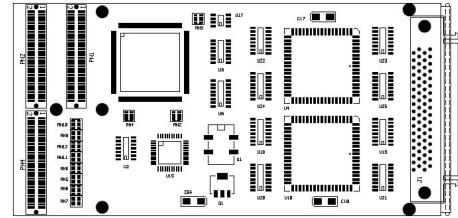
- 8-port Async I/O RS-422
- Front & Rear Access
- True 16550 UARTS (TI 16C554), Up to 115K Baud Standard
- 32-bits / 33 MHz PCI Bus (PLX 9030)
- 3.3V or 5V PCI Signaling
- Drop-in Replacement for Technobox P/N 2316 (Vendor & Device IDs preserved, Register Compatible)
- RoHS-compatible
- Lead-free



**Technobox<sup>®</sup>, inc.**



**COMPONENT PLACEMENT VIEW - SIDE #1**



**COMPONENT PLACEMENT VIEW - SIDE #2**

is a PLX 9030 chip, this is a slave only device so all access from the host processor is done through programmed I/O to the PCI bus I/O space, as is customarily done for Async communication soft-ware. Once the registers are mapped into host I/O space, standard Async communication drivers may be used to access the ports.

The eight interrupt requests from each UART are routed to one of the four INTx lines on the PCI bus. This design avoids interrupt routing switches by incorporating a program-mable element which can be set

up from the host processor, allowing any UART to be routed to any INTx request line. The default after reset is all UART interrupt requests are routed to the INTA line.

Transition panels from Technobox, P/N 4988, convert the 68-pin SCSI style connector to eight 9 pin D-Sub connector or terminal blocks.

For Rear I/O, a paddle card, Technobox P/N 1871, converts the P2 'a' and 'c' rows back into the 68-pin SCSI style connector. This permits use of the eight port 68 pin SCSI style transi-

tion panels. Technobox P/N 5288 is a ROHS and Industrial temperature upgrade for the Technobox P/N 2316 and is drop in replacement. While the 2316 used a PLX 9052 suitable for 5V PCI signaling PMCs only, the 5288 uses a PLX 9030 bridge chip allowing use with 3V or 5V PCI signaling PMCs.

Please contact Technobox for soft-ware support

### SPECIFICATIONS

**Temperature (Operating):** -40 to +85 degrees C

**Temperature (Storage):** -55 to +105 degrees C

**Altitude:** Not Specified or Characterized. Typical similar equipment is at 15,000 ft.

**Humidity (Operating/Storage):** 5% to 95% non-condensing.

**Vibration:** Not specified or characterized

**MTBF:** Available on request

**Typical Power Dissipation:** TBD

**Power Supplies Required:** +5, +12, and -12 Volts

**PCI Environment:** 3.3V or 5V

### ORDERING INFORMATION

**5288:** 8-Port RS422 Async Communication PMC

