

# Miscellaneous Products

## 68-Pin SCSI Adapter to DIN96 Male Connector

The P/N 6849 adapter connects a 96 pin DIN to a 68 pin SCSI connector and allows breakout, loopback, probing and test of the 64 I/O signals normally carried on a SCSI cable in XMC and PMC applications.

For loopback testing, a special loopback cable (Technobox P/N 4628) can be affixed to the DIN connector.

P/N 4628 connects the first 16 differential pairs to the next 16 differential pairs, permitting testing of the differential drivers or receivers on an XMC or PMC with a SCSI I/O connector.

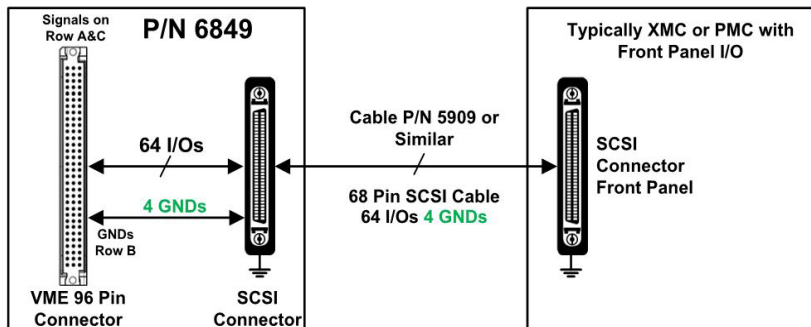
Additionally, a SCSI cable is needed, Technobox P/N 5909, 5910, 5911 & 5912.

For probing, the adapter provides test points on the back of the adapter offer 8 grounds for connecting voltmeters and oscilloscopes for probing I/O signals.



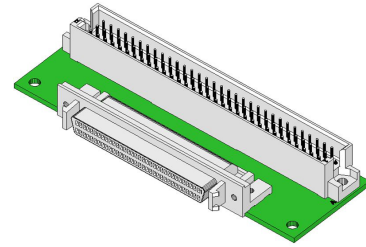
## 6849

- Allows Easier Probing of the I/O Signals in a 68-pin SCSI Cable
- Provides Grounds to Aid in Voltmeter or Oscilloscope Probing
- Loops Back 16 Pairs for Self-Test & Debug, w/ Cable P/N 4628 & P/N 5909 or Similar
- Adapts the VME DIN 96 Male to a 68-pin SCSI Cable w/ P/N 7115 or Similar
- RoHS-compatible
- Lead-free





**COMPONENT PLACEMENT VIEW #1**



**COMPONENT PLACEMENT VIEW #2**

## **SPECIFICATIONS**

**Temperature (Operating):** -40 to +85 degrees C

**Temperature (Storage):** -50 to +100 degrees C

**Altitude:** Not Specified or Characterized. Typical similar equipment is at 15,000 ft.

**Humidity (Operating/Storage):** 5% to 95% non-condensing.

**Vibration:** Not specified or characterized

**Shock:** Not specified or characterized

**Weight:** 41.7 grams

## **ORDERING INFORMATION**

**6849:** 68-Pin SCSI Adapter to DIN96 Male Connector

**4682:** Rainbow Loopback Cable

