

# Storage Controller XMC

## 2.5-Inch HDD/SDD Adapter

The Technobox P/N 7008 is de-signed to adapt a standard 2.5-inch SATA drive (HDD or SSD) to the XMC form factor. The Silicon Image SI3132 controller provides an interface between a one lane PCI express bus and a SATA Gen 2 interface at 3.0 GB/s.

To assure proper mating to a host board or carrier, the SATA drive interface connector on the adapter is positioned to assure that the mounted HDD or SSD does not violate the XMC component envelope. Steel rails are attached to the printed circuit board, allowing for a secure, robust installation.

An on-board BIOS, provided by Silicon Image and resident in flash memory, supports boot up configuration. A green status LED on the printed circuit board conveys the activity of the installed drive.

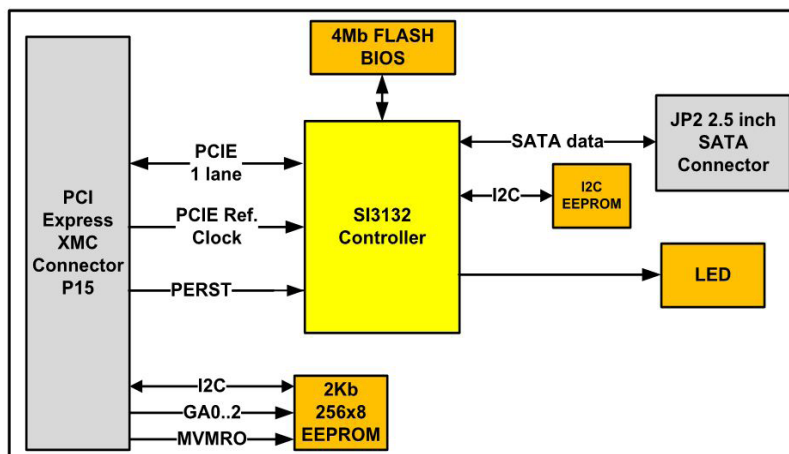
This 7008 is normally supplied without a drive, permitting purchase of drives for installation by the user. If necessary, Technobox can develop a bundled solution as an additional service.

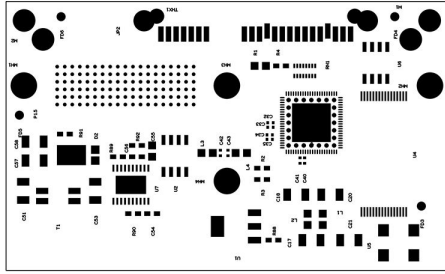
Please contact Technobox for O/S and software support.



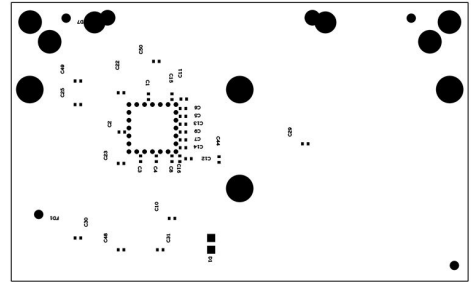
## 7008

- Accepts 2.5-inch SATA HDD or SSD
- Silicon Image SiI3132 Controller
- PCI Express Interface (2.5 Gb/s) 1X Lane
- On-board Drive Activity LED
- Media Optional
- Commercial Temperature
- RoHS-compatible
- Lead-free





**COMPONENT PLACEMENT VIEW - SIDE #1**



**COMPONENT PLACEMENT VIEW - SIDE #2**

## SPECIFICATIONS

**Temperature (Operating):** 0 to +70 degrees C

**Temperature (Storage):** -40 to +85 degrees C

**Altitude:** Not Specified or Characterized. Typical similar equipment is at 15,000 ft.

**Humidity (Operating/Storage):** 5% to 95% non-condensing.

**Vibration:** Not specified or characterized

**Shock:** Not specified or characterized

**MTBF:** Available on request

**Weight:** 45 grams without drive

**Power:** TBD

**PCI Express:** 1 lane, 2.5GHz Gen 1

**Voltages Required XMC:** +3.3V, VPWR, +12V

**Voltages Required Drive:** 3.3V to +3.3V

**Size:** 74 mm x 149 mm

## ORDERING INFORMATION

**7008:** 2.5-inch HD / SSD Adapter - VITA 42 Connector  
(without media)

**7962:** 2.5-inch HD / SSD Adapter - VITA 61 Connector  
(without media)

**Technobox<sup>®</sup>, inc.**

**Technobox, Inc.**

154 Cooper Road, Suite 901

West Berlin, NJ 08091

**Phone:** 856-809-2306 • **Fax:** 856-809-2601

**Email:** sales@technobox.com

**Website:** www.technobox.com